

## CPDR2501-D10

### Dual Mount Single Bowl Stainless Steel Sink

**Model: CPDR2501-D10**

#### Dimensions

- Overall: 25" x 22-15/16" x 10-1/8"
- Overall Interior: 23" x 16-1/2" x 8-3/4"
- Bowl Ledge: 5/8" x 1/2"

#### Color/Finish

- Brushed 304 Stainless Steel

#### Features

- Handmade
- 10-1/8" deep single bowl
- 5mm radius corners
- 18 gauge 304 stainless steel finish
- 18/10 Nickel/Chrome content
- Long lasting tight brush finish
- Includes roll up stainless drain shelf, which sits in 5/8" X 1/2" ledge
- Stain and corrosion resistant
- V-Therm Shield™ undersurface
- Dual-Mount - Mounts above or below a solid surface countertop

#### Optional Accessories

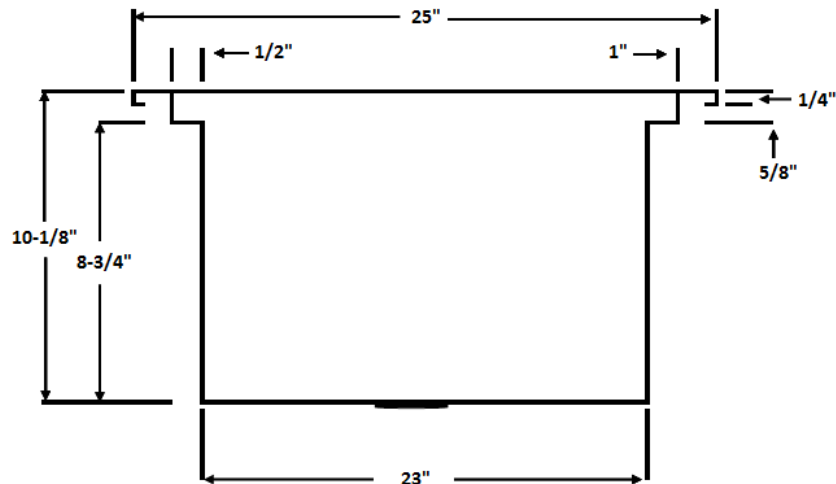
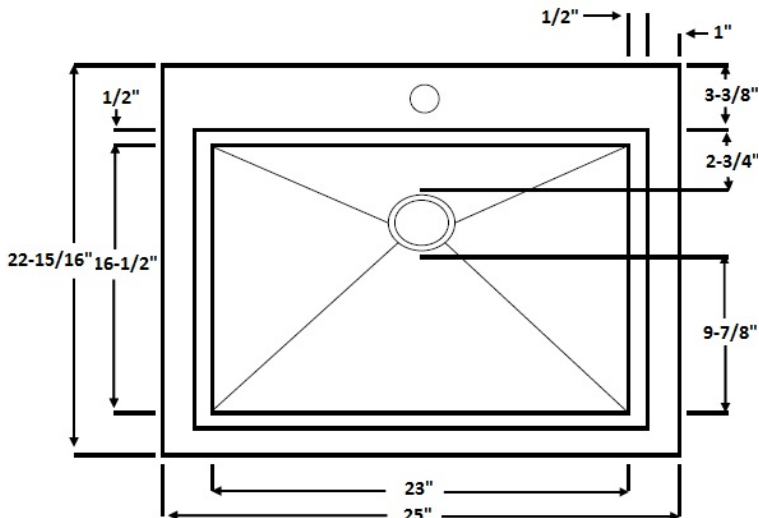
- Sink Strainers
- Stainless Steel Sink Cleaner



Sink Strainer  
Optional



Stainless Steel Sink Cleaner  
Optional



Side View

All sinks are handmade. Prior to cutting, verify with included template.