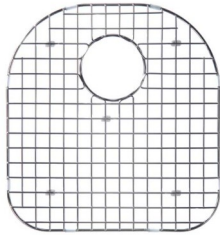


## AR2120-D9

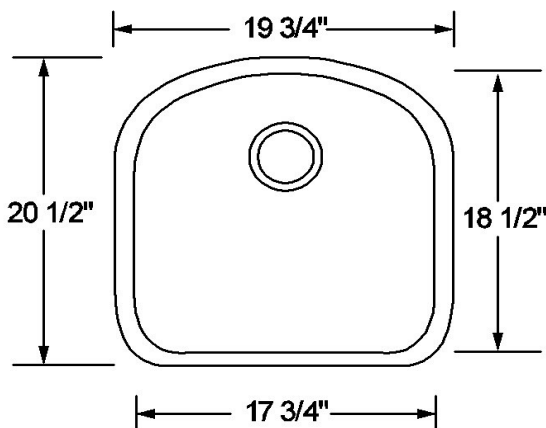
### Premium 16 Gauge 304 Stainless Steel Single Bowl Undermount Sink



**BG20S GRID**  
Optional



**Sink Strainer**  
Optional



#### Model: AR2120-D9

#### Dimensions

- Overall Size: 19 3/4" x 20 1/2"
- Bowl Size: 17 3/4" x 18 1/2" x 9" D
- Drain Opening: 3 1/2"

#### Optional Accessories

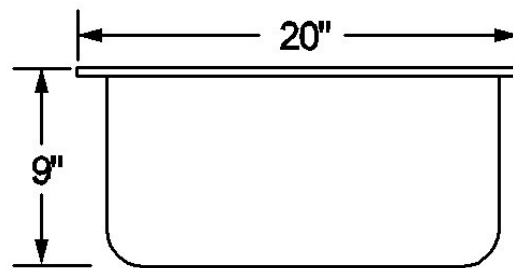
- Single Grid: BG20S
- Sink Strainer

#### Features

- Heavy 16 gauge 304 stainless steel
- Proprietary V-Therm Shield™  
- Provides superior sound deadening and thermal retention.
- High luster brush satin finish
- Stain and corrosion resistant
- Bulk Packs Available (4 Pieces Per Pack)



Complies with ASME A112.19.3-2000



#### Product Specification

The undermount sink shall be 19 3/4" in length and 20 1/2" in width. Sink shall be made of 16 gauge stainless steel. Sink shall have brushed finished rim. Sink shall be a single bowl. Sink shall be an Artisan model AR2120-D9.