

AR1214-D7

Premium 16 Gauge 304 Stainless Steel Single Bowl Undermount Sink

Model: AR1214-D7

Dimensions

- Overall Size: 12 1/2" x 14 3/4"
- Bowl Size: 10-1/2" x 12-3/4" x 7" D
- Drain Opening: 3 1/2"

Optional Accessories

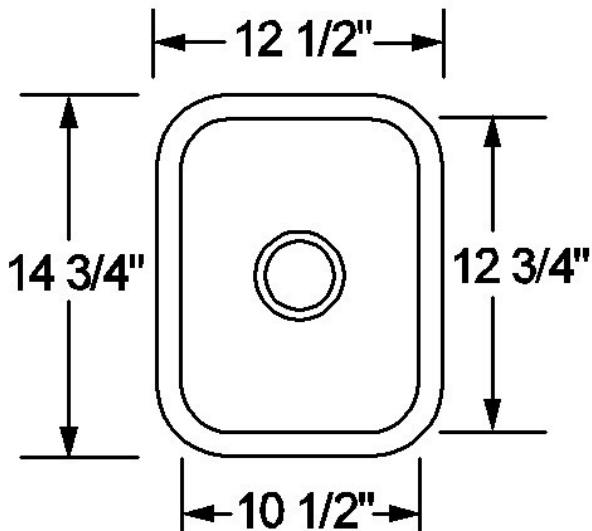
- Sink Strainer

Features

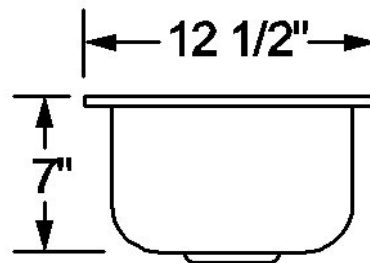
- Heavy 16 gauge 304 stainless steel
- Proprietary V-Therm Shield™
 - Provides superior sound deadening and thermal retention.
- High luster brush satin finish
- Stain and corrosion resistant
- Bulk Packs Available (4 Pieces Per Pack)



Sink Strainer
Optional



Complies with ASME A112.19.3-2000



Product Specification

The undermount sink shall be 12 1/2" in length and 14 3/4" in width. Sink shall be made of 16 gauge stainless steel. Sink shall have brushed finished rim. Sink shall be a single bowl. Sink shall be an Artisan model AR1214-D7.